

# MAESTRO SERIES

**600 ■ 800 ■ 1000 ■ 1200**

**A range of equipment to suit  
wide range of applications**



**Features :**

- Choice of Boom mounted or Tractor mounted models with Diode / Thyristorised Power Source
- Boom mounted head comes with a choice of manual, semi-motorised and fully motorised cross slides
- Programmed sequential operations of Power Source, Wire Feed and Carriage through built-in solid state circuitry
- Twin Wire attachment is optionally available - helps to achieve 20 - 30% higher weld deposition rates

**The Welder friendly Tractor or Boom Mounted Welding head with Diode / Thyristorised Power Sources perfectly matched; adapted to local conditions; offering a Range of models to suit every budget and Need**



**ADOR WELDING LIMITED**

Central Marketing Office

L. B. S. Marg, Bhandup (W), Mumbai - 400 078 (India).  
Phone : 022-2596 2554 / 77, 2596 0285 / 88 Fax : 022-2596 6562, 2596 6062  
E-mail : cmo@adorians.com Website: www.adorwelding.com



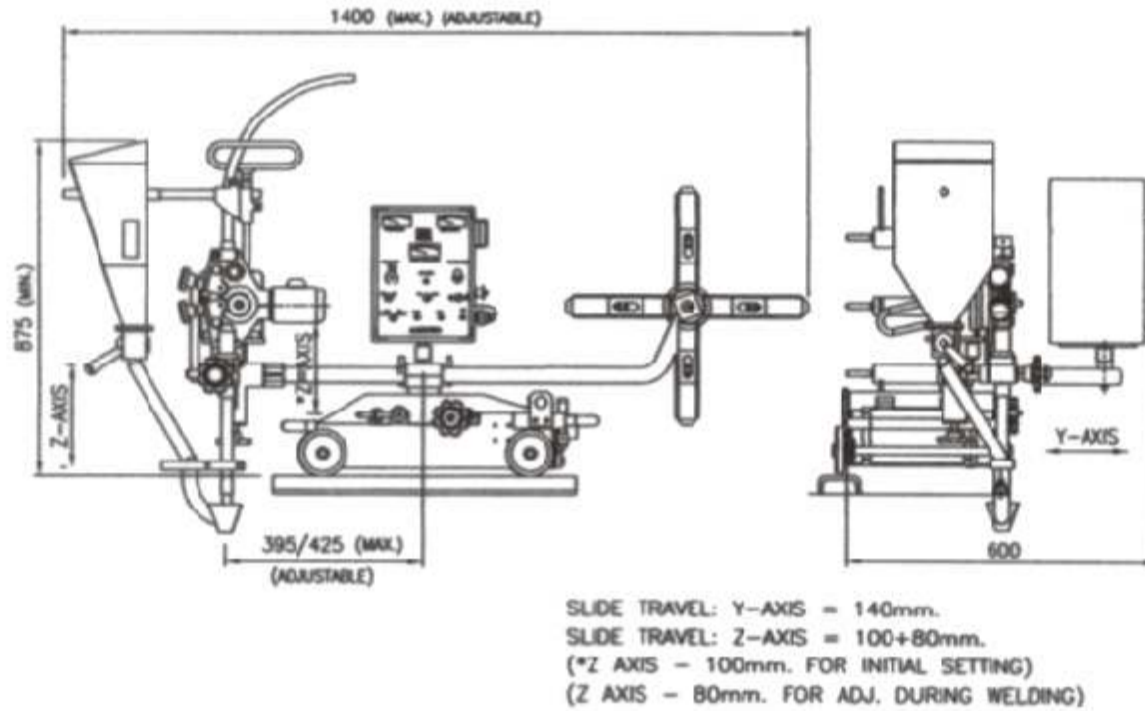
# MAESTRO SERIES

Technical Specifications		Product range							
Power Source Model	Unit	PS 600	PS 800	PS 1000	PS 1200	PS 600 T	PS 800 T	PS 1000 T	PS 1200 T
<b>INPUT</b>									
Input Supply									
Voltage	Volts	415	415	415	415	415	415	415	415
Phase	No.	3	3	3	3	3	3	3	3
Frequency	Hz.	50	50	50	50	50	50	50	50
Rating @ 60% duty cycle	KVA	37	45	57	68	39	50	62	75
Rating @ 100% duty cycle	KVA	25	37	45	57	30	40	50	63
Recommended switch fuse/ rating	Type/ Amps	TP-50	TP-30	TP-80	TP-100	TP-50	TP-70	TP-80	TP-100
<b>OUTPUT</b>									
Static characteristics	Type	CP	CP	CP	CP	CP	CP	CP	CP
Welding current (auto)	Amps	600	800	1000	1200	600	800	1000	1200
Open circuit voltage range (Max.)	Volts	35 - 63	35 - 63	35 - 63	35 - 63	62	62	62	62
Open Circuit Voltage range (Actual)	Volts	29 - 54	29 - 54	29 - 54	29 - 54				
Max. welding current:									
@ 60% duty cycle	Amps	600	800	1000	1200	600	800	1000	1200
@ 100% duty cycle	Amps	465	650	800	1000	465	650	800	1000
<b>GENERAL</b>									
Insulation	Class	H	H	H	H	H	H	H	H
Cooling	Type	Forced air	Forced air	Forced air	Forced air	Forced air	Forced air	Forced air	Forced air
Dimensions:									
Length	mm	930	1225	1225	1225	930	1225	1225	1225
Width	mm	685	800	800	800	685	800	800	800
Height	mm	940	900	900	900	940	900	900	900
Weight (approx.)	Kgs.	240	350	365	390	240	350	365	390
	Unit	WH-15	WH-15-01	WH-15-02	WH-15-03	WH-15(T)	WH-15-01(T)	WH-15-02(T)	WH-15-03(T)
Max. welding current :									
@ 60% duty cycle	Amps	1500							
@ 100% duty cycle	Amps	1250							
Recommended Power Source	Model	PS 600 / PS 800 / PS 1000 / PS 1200				PS 600 (T) / PS 800 (T) / PS 1000 (T) / PS 1200 (T)			
Wire Diameter									
Single wire	mm	2, 2.5, 3, 4, 5							
Twin wire	mm	2, 2.5 (Optional)							
Speed Range :									
Wire feed	mtr./min	0.5 - 4.0							
Carriage	mtr./min	0.1 - 1.5	N.A.			0.1 - 1.5	N.A.		
Input to Control Unit		42 Volts 1 Phase, 50 Hz from Power Source via Control Cable							
Range of Adjustment : #									
Vertical (Z)	mm	180 (100 + 80*)	180 (100 + 80*)	100 Motorised	100 Motorised	180 (100 + 80*)	180 (100 + 80*)	100 Motorised	100 Motorised
Horizontal(X) Transverse to Travel direction	mm	140	140	100 Motorised	100 Motorised	140	140	100 Motorised	100 Motorised
Horizontal(Y) In direction of Travel	mm	-	140	140 Manual	100 Motorised	-	140	140 Manual	100 Motorised
Maximum Swivel :									
Transverse to head Travel	deg	45							
Parallel to Head Travel	deg	30							
Horizontal Swing	deg	270							
Standard Bore for Spool	mm	265 - 315 (Adjustable)							
Weight of the spool(Max)	Kgs.	25							
Flux Hopper Capacity (Approx.)	Kgs/Ltr.	*10 / 7							
Dimensions (Approx.)									
Length	mm	1400							
Height	mm	875							
Width	mm	650							
Total Weight (Without Flux & wire)	Kgs.	100	90	100	105	100	90	100	105
<b>Notes :</b> * 80 mm adjustment for welding Head <b># Range of Adjustment :</b> The 3 Axis of the welding head are defined as : <b>X-Axis :</b> Horizontal Axis, Transverse to direction of Boom Travel <b>Y-Axis :</b> Horizontal Axis, Along the direction of Boom Travel <b>Z-Axis :</b> Vertical Axis, perpendicular to the direction of Boom Travel									
Optional Accessories									
Set of Welding Cables	SAC 600 SAC 800 SAC 1000 SAC 1200	PS 600 3601101	PS 800 3601105	PS 1000 3601106	PS 1200 3601104	PS 600 (T) 3601101	PS 800(T) 3501105	PS 1000(T) 3601106	PS 1200(T) 3601104
Set of Welders accessories	WAS	3604101							
Spot Light Projector	SLP	3603101							
Fillet welding Attachment	FWA	3602101							
Twin Wire Attachment (2 & 2.5 mm)	TWA	3602103							
Notes :	<b>TWIN WIRE ATTACHMENT</b> TWIN WIRE ATTACHMENT is available for the Tractor as well as Boom Mounted type Welding Heads. This arrangement consists of one set each of wire drive Roll and Nozzle for 2 & 2.5mm size wires to feed 2 wires in tandem and increase the deposition rate substantially. This arrangement is ideal for applications like cladding of hard surfacing as well as for filling weld metal in extra large edge preparation grooves. Twin 2.5 mm wires can deliver up to 20% higher deposition rates than a single 5 mm diameter wire at the same welding current and arc voltage parameters.								
	<b>FILLET WELDING ATTACHMENT</b> To enhance the usability of the SAW outfit, a FILLET Welding Attachment can be provided for increased shopfloor productivity.								
	<b>SPOT LIGHT PROJECTOR</b> This facility is especially useful for welding operations inside cylindrical joints where a light source is required to examine the seams.								

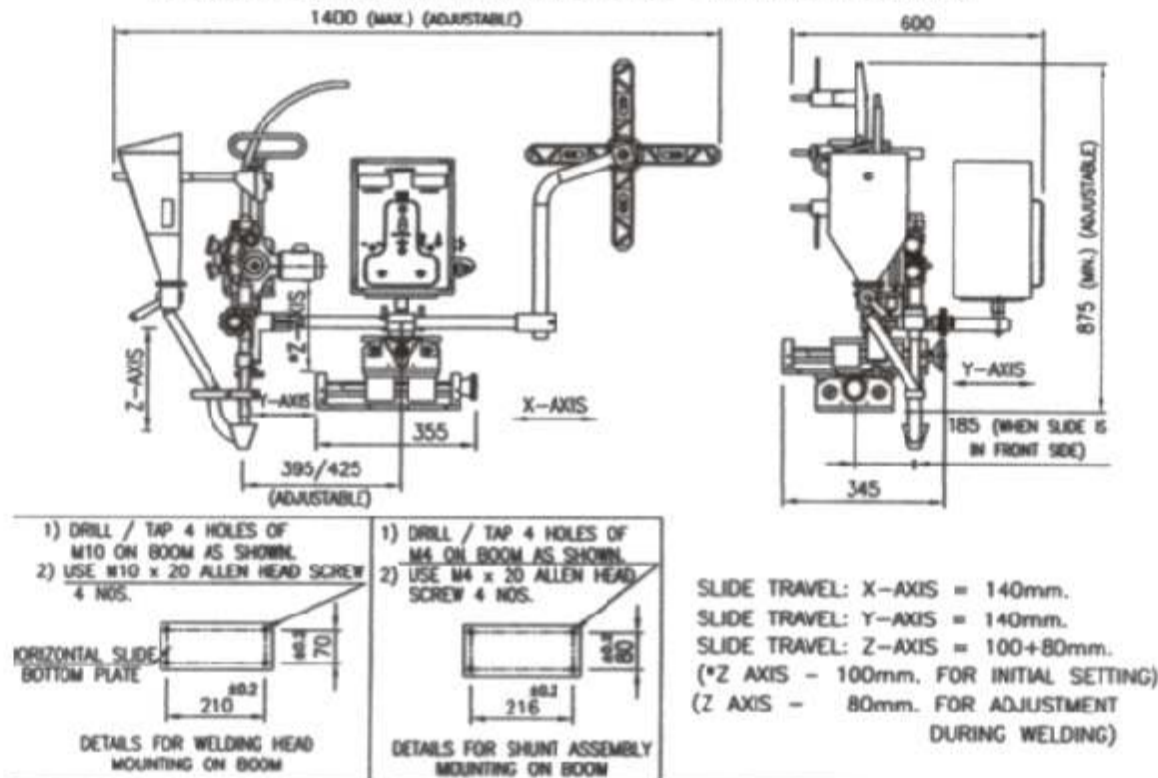
## ORDERING INFORMATION

SUBARC OUTFIT	PRODUCT CODE	POWER SOURCE	WELDING HEAD	SUBARC OUTFIT	PRODUCT CODE	POWER SOURCE	WELDING HEAD
Maestro 600	3600401	PS 600	WH-5	Maestro 600 (T)	3600421	PS 600 (T)	WH-15 (T)
Maestro 600 - 01	3600402	PS 600	WH-15-01	Maestro 600 -01(T)	3600422	PS 600(T)	WH-15-01(T)
Maestro 600 - 02	3600403	PS 600	WH-15-02	Maestro 600 - 02 (T)	3600423	PS 600 (T)	WH-15-02 (T)
Maestro 600 - 03	3600404	PS 600	WH-15-03	Maestro 600 - 03 (T)	3600424	PS 600 (T)	WH-15-03 (T)
Maestro 800	3600405	PS 800	WH-5	Maestro 800 (T)	3600425	PS 800 (T)	WH-15 (T)
Maestro 800 - 01	3600406	PS 800	WH-15-01	Maestro 800 -01 (T)	3600426	PS 800 (T)	WH-15-01(T)
Maestro 800 - 02	3600407	PS 800	WH-15-02	Maestro 800 -02 (T)	3600427	PS 800 (T)	WH-15-02 (T)
Maestro 800 - 03	3600408	PS 800	WH-15-03	Maestro 800 -03 (T)	3600428	PS 800 (T)	WH-15-03 (T)
Maestro 1000	3600409	PS 1000	WH-5	Maestro 1000 (T)	3600429	PS 1000 (T)	WH-15 (T)
Maestro 1000 - 01	3600410	PS 1000	WH-15-01	Maestro 1000 -01(T)	3600430	PS 1000 (T)	WH-15-01(T)
Maestro 1000 - 02	3600411	PS 1000	WH-15-02	Maestro 1000 -02 (T)	3600431	PS 1000 (T)	WH-15-02 (T)
Maestro 1000 - 03	3600412	PS 1000	WH-15-03	Maestro 1000 -03 (T)	3600432	PS 1000 (T)	WH-15-03 (T)
Maestro 1200	3600413	PS 1200	WH-5	Maestro 1200 (T)	3600433	PS 1200 (T)	WH-15 (T)
Maestro 1200 - 01	3600414	PS 1200	WH-15-01	Maestro 1200 -01(T)	3600434	PS 1200 (T)	WH-15-01(T)
Maestro 1200 - 02	3600415	PS 1200	WH-15-02	Maestro 1200 -02 (T)	3600435	PS 1200 (T)	WH-15-02 (T)
Maestro 1200 - 03	3600416	PS 1200	WH-15-03	Maestro 1200 -03 (T)	3600436	PS 1200 (T)	WH-15-03 (T)

**TRACTOR MOUNTED WELDING HEAD WH-15 & WH-15 (T)**



**BOOM MOUNTED WELDING HEAD WH-15-01 & WH-15-01 (T)**



**Warranty :** One year from the date of purchase. ADOR WELDING LTD warrants that all new equipment sold from Plant/Area Offices/ Authorised Distributors are free from defects in materials and workmanship and will perform in full accordance with applicable specifications.

**In view of continuous development, Ador Welding Ltd. reserves the right to modify/change the design and/or the specifications without any prior notice.**

Backed by our dedicated customer care package.

Contact Authorised Distributor:



**ADOR WELDING LIMITED**

Central Marketing Office  
L. B. S. Marg, Bhandup (W), Mumbai - 400 078 (India)  
Phone : 022-2596 2534 / 77, 2596 0285 / 88 Fax : 022-2596 6562, 2596 6062  
E-mail : cmo@adorians.com Website: www.adorwelding.com



Area/Territory/Field Offices: Tel. Nos. : Ahmedabad (079) 5581 2788, 2657 9928 Andheri (022) 2826 045/46 Bangalore (080) 2558 5125 Baroda (0265) 2362 285, 3959 954 Bhandup (022) 2596 2564/77  
Bhubaneshwar (0674) 2595 743, 2595 415 Chennai (044) 2822 1375, 2822 0316 Coimbatore (0422) 2303 869, 2304 281 Dehi (011) 4141 1049, 4141 1106 Faridabad (0125) 4033 308  
Guwahati (0361) 2461 923, 2461 336 Hospet 09880194128 Hyderabad (040) 2771 2050 Indore (0731) 2494 220, 4066 840 Jabalpur (076) 4015 444 Jaipur (0141) 2220 833, 2220 834  
Jamshedpur (0657) 2427851 Jammu 09413185246 Kochi (0434) 2394 653 Kolkata (033) 2216 6585, 2216 6400 Ludhiana (0161) 5084 496 Lucknow (0522) 3250 033, 3250 034  
Nagpur (0712) 3299 172 Navi-Mumbai (022) 2757 0099 / 8770 Pune (020) 2747 6906, 2747 6276-77 Rihand (05446) 274979 Raipur (0771) 2562 290, 4641 317 Silchar (03842) 245532  
Siliguri 09832094887 Silvassa (0260) 3632 287, 3258 843 Sundarnagar 09616049301 Tichy (0431) 4001 118, 4001 117 Vasco (0832) 2510 190 Visakhapatnam (0891) 5516 166



P3050 35x07-05 JPS